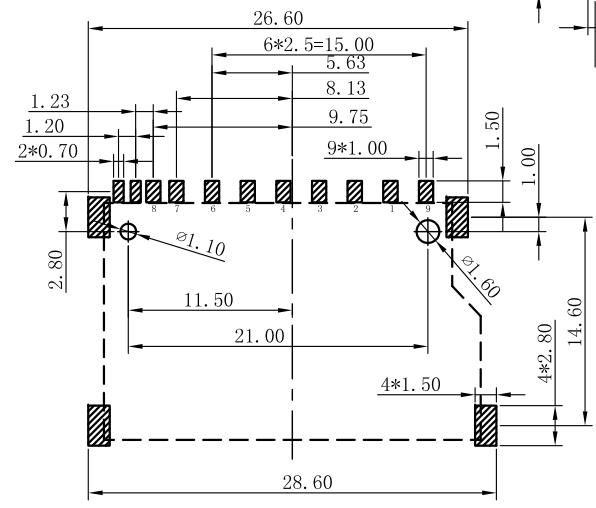
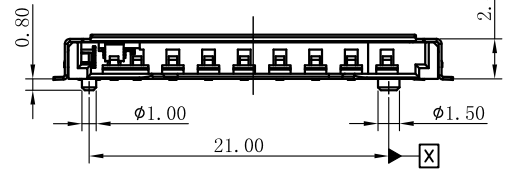
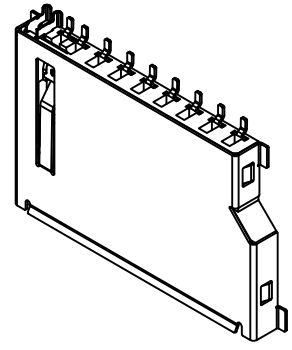
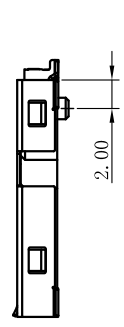
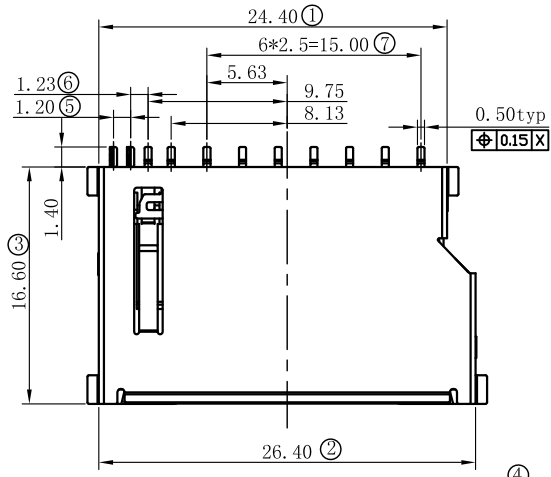
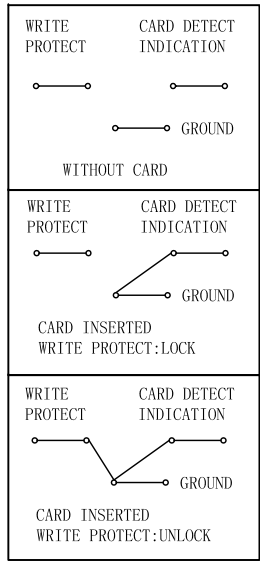


更改 REV	註 MODIFICATION
A	ECXXXXX

CIRCUIT:



RECOMMENDED P. C. B HOLE LAYOUT
COMPONENT SIDE VIEW (TOLERANCE: +/-0.05)

- MATERIAL:
 - INSULATOR: LCP, UL94V-0; COLOR: NATURE
 - CONTACT: BRASS, T=0.20mm
 - SHELL: BRASS/SPTe, T=0.20mm
- FINISH:
 - CONTACT: GOLD FLASH PLATED IN CONTACT AREA ; 50u" MIN. TIN PLATED IN SOLDER AREA 30u" MIN. NICKEL UNDERPLATED OVERALL.
 - SHELL: 50u" MIN. NICKEL PLATED OVERALL.
- ELECTRICAL CHARACTERISTICS
 - CURRENT RATING: AC/DC 0.5A.
 - CONTACT RESISTANCE: 20mΩ MAX.
 - INSULATION RESISTANCE: 100MΩ MIN DC 500V.
 - DIELECTRIC WITHSTANDING VOLTAGE: AC 500V PER MINUTE.
 - OPERATING TEMPERATURE: -25° C ~ +85° C.
- NOTES:
 - THIS COMPONENT AND ITS HOMOGENEOUS SUBCOMPONENTS ARE RoHS2.0 COMPLIANT.
 - RESISTANCE TO SOLDERING HEAT: 265⁺⁵/₋₅° C FOR 10 SECONDS.
 - COPLANARITY IS 0.1MM MAX

GENERAL TOLERANCE		KINGCONN 皇海科技股份有限公司	
X± 0.50	X*± 5°	名 稱(TITLE) SD card 短板	
X± 0.30	X*± 2°		
.XX± 0.20	.XX*± 1°		
單位(UNIT) mm	料 號(PART NO.) 7SDCN-F9-0011	圖 號(DWG NO.) 7SDCN-F9-0011-A	
審 核(APPROVAL)	核 對(CHECKED)	製 圖(DRAWN)	比 例 SCALE 1:1
			張 數 SHEET 1 / 1
			更 改 REV A

